



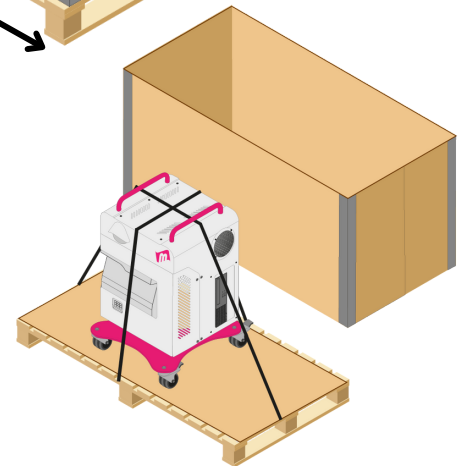
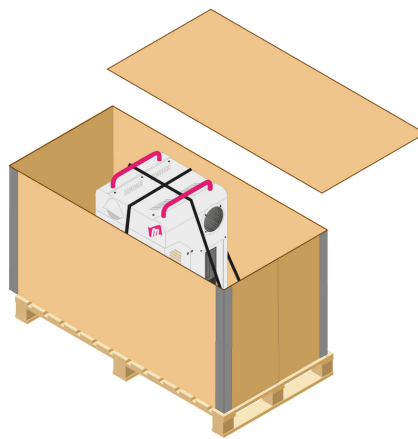
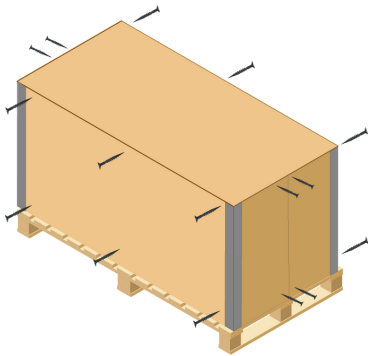
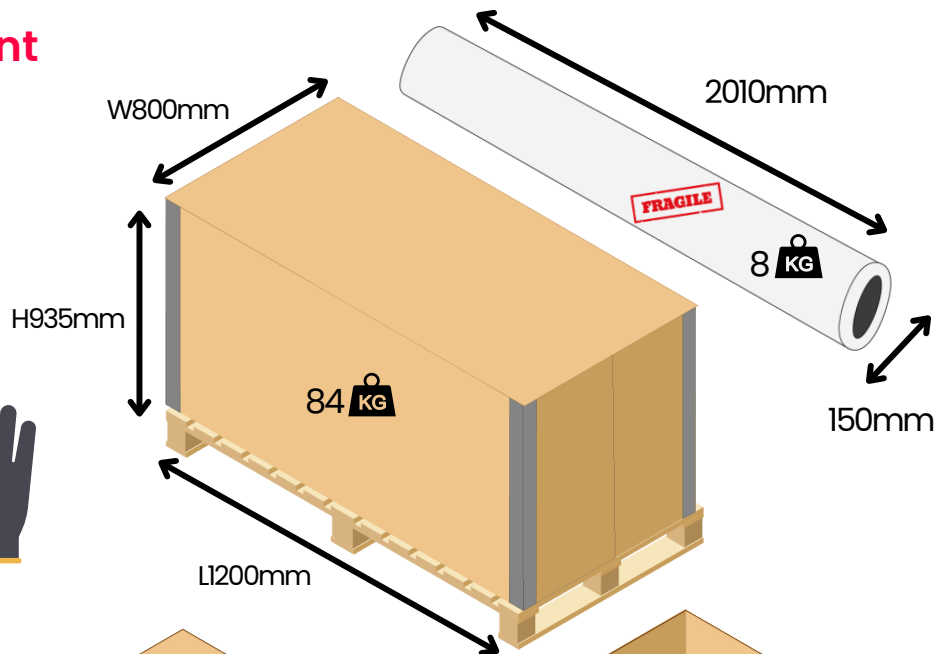
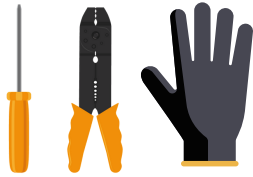
Magic Carpet Shipping

Secure Crated Shipment

Magic Carpet ships in a secure palletted crate to ensure safe delivery. Projection vinyl will accompany the crate

You will need:

- Screwdriver
- Gloves
- Cutters
- 2 People



Locate Accessories

- Key PC compartment
- Wireless Keyboard
- Projector Remote
- Getting Started Sheet
- Projection Vinyl



Unwrapping the Vinyl

The vinyl will be wrapped with cellophane. Carefully remove the outer wrap making sure you do not damage the vinyl.

Contact Us:

Phone: +44(0)1892 771-381

Email: info@sensoryguru.com

Address: The Barn, Hodore Farm,
Parrock Lane, Hartfield, TN7 4AR

